

# P14-TYPE

## CLASS

Classification DNV GL X100 A5  
Strengthened for heavy cargoes

Ice-Class E3

Fitted for carriage of dangerous goods of all IMO classes

Fitted for trading Australia

## PRINCIPAL DIMENSIONS

Length over all	168.68 m	
Breadth extreme	25.43 m	
Height Hold 1	14.20 m	
Height Hold 2	14.90 m	
Summer draft	9.50 m	
GT	Abt. 17,634	
NT	Abt. 6,617	
DEADWEIGHT Summer	19,450 mt	excl. TWD

## CAPACITY

Grain - bale 929,696 cbft/26,337m<sup>3</sup>

## FLOOR SPACE

Tank top	Hold 1: 281 m <sup>2</sup>	
	Hold 2: 1,332 m <sup>2</sup>	
Tween deck	Hold 1: 281 m <sup>2</sup>	
	Hold 2: 1,458 m <sup>2</sup>	
Weather deck	2,220 m <sup>2</sup>	

## AIR CHANGES (basis empty holds)

Abt. 6 x p/h

## CONTAINER INTAKE

Total 912 TEU Intake always subject stability

## HATCHES

Weather deck	No.1: 22.94 x 14.26 m	
	No.2: 82.40 x 19.16 m	
	hydraulic folding type, combinable w/pontoons	
Tween deck	No.1: 22.94 x 13.76 m	
	No.2: 82.40 x 18.66 m	
	Heights: Tween deck	Hold 1 2 different heights Hold 2 4 different heights

## MAXIMUM LOAD

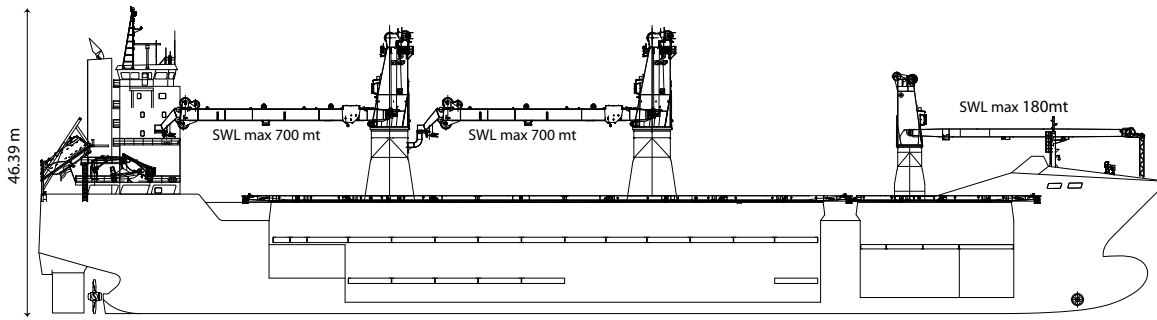
Weather deck hatch covers	5.00 t/m <sup>2</sup>
Tweendeck hatch covers	3.50 t/m <sup>2</sup>
Tank top	18.00 t/m <sup>2</sup>

## DECK CRANES

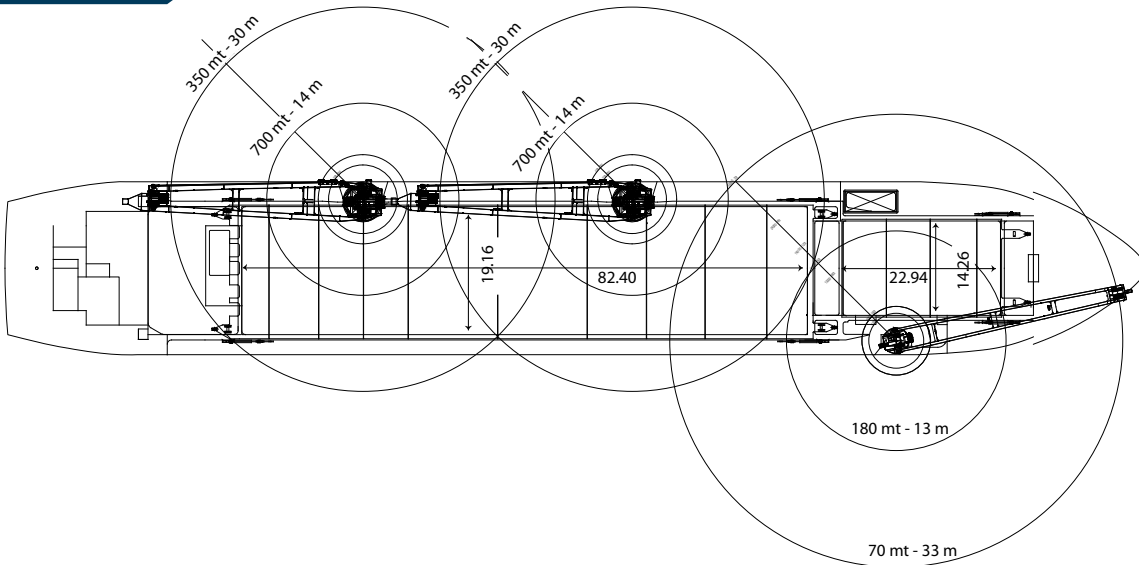
Position	2 x 700 mt SWL situated on port side Combinable 1.400 mt SWL 1 x 180 mt SWL situated on starboard side
Tons/reach	2 x 700 mt SWL / 14 m 2 x 500 mt SWL / 21 m 2 x 400 mt SWL / 26 m 2 x 350 mt SWL / 30 m 1 x 180 mt SWL / 13 m
BOWTHRUSTER	1 x 800 kW



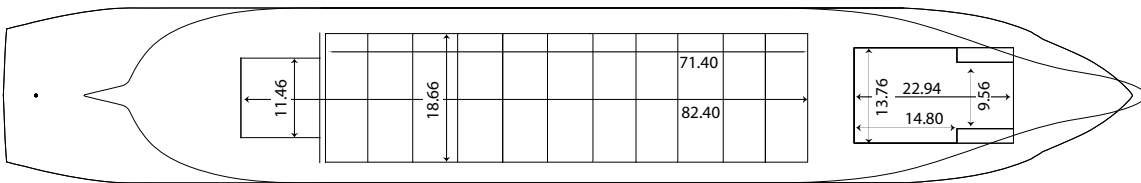
- 2010** PALMGRACHT  
PAUWGRACHT  
PLANTIJNGRACHT  
POTTERSGRACHT
- 2011** PALEISGRACHT  
PIJLGRACHT  
POOLGRACHT



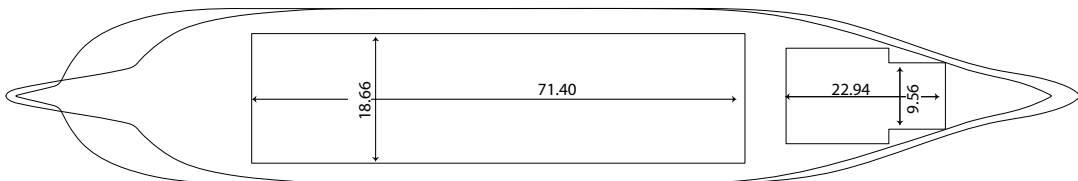
**WEATHER DECK**



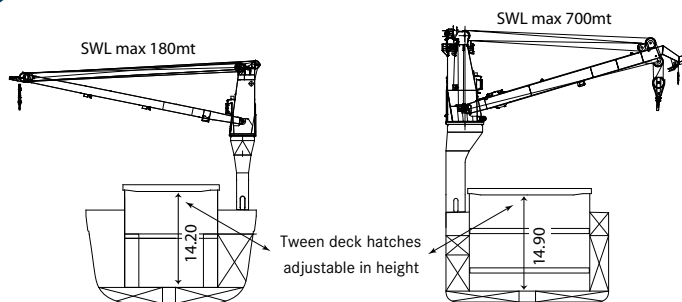
**TWEEN DECK**



**TANK TOP**



**CROSS SECTION**



These particulars are believed to be correct, but without guarantee, and they must not be used as basis for Charter Parties or contracts without explicit written authority. For more information please contact [amsterdam@spliothoff.com](mailto:amsterdam@spliothoff.com)

**P14-TYPE**