

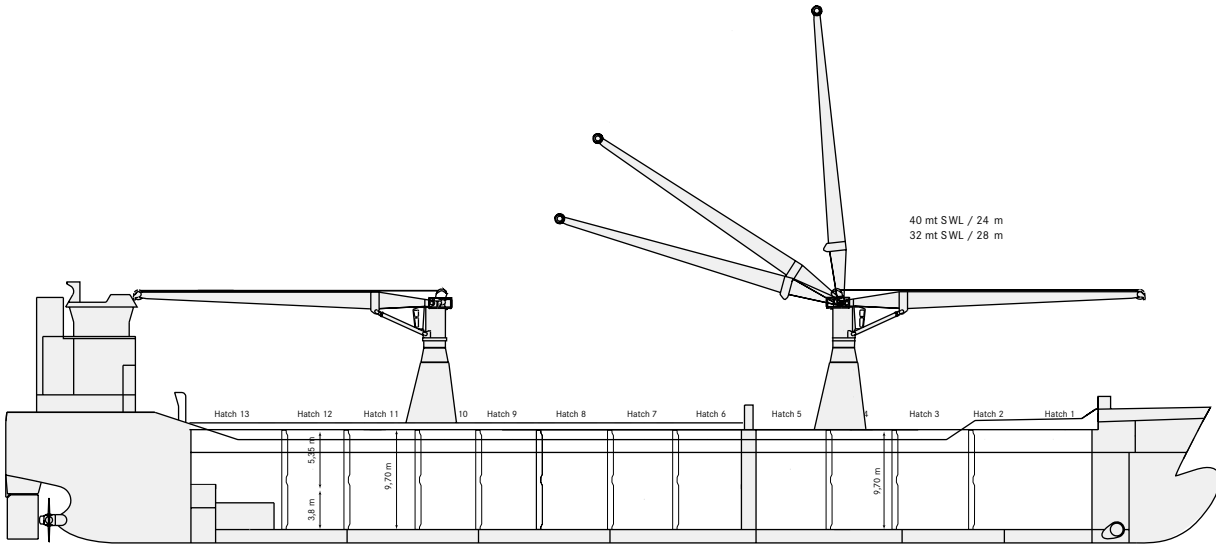
BANDURA

UNDER
MANAGEMENT

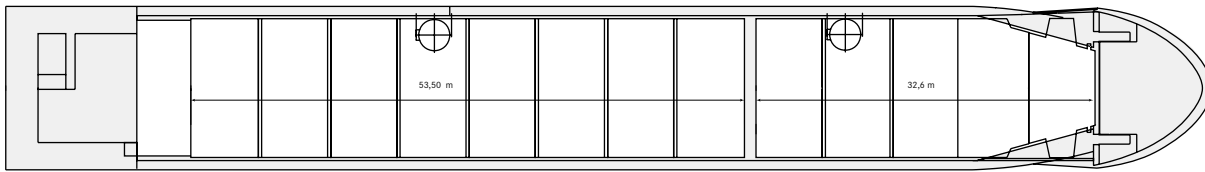


2010 BANDURA

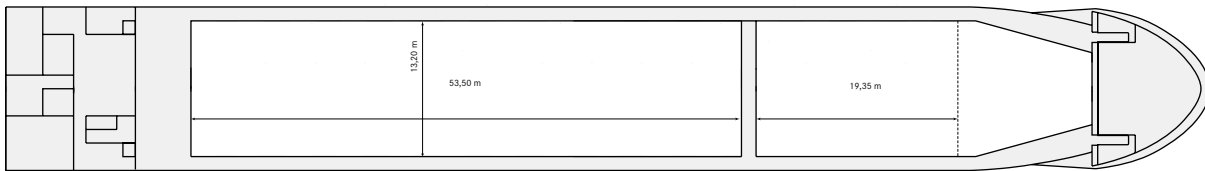
CLASS		
Classification	Lloyd's Register ✱ 100 A1 +LMC, UMS	
Ice-Class	Finnish/ Swedish 1A	
Fitted for carriage of dangerous goods		
Fitted for trading Australia and Great Lakes		
PRINCIPAL DIMENSIONS		
Length over all	118,14 m	
Breadth moulded	16,13 m	
Height hold as SID	Hold 1: 9,70 m	
	Hold 2: 9,7 m	
Height lower hold as TWD	Hold 1: 3,80 m	
	Hold 2: 3,80 m	
Height tween deck as TWD	Hold 1: 5,35 m	
	Hold 2: 5,35 m	
Summer draft	Abt. 7,19 m	
GT	Abt. 5.425	
NT	Abt. 2.949	
DEADWEIGHT all told	Abt. 8.305 mt	
CAPACITY		
Grain - bale	371.155 cbft	/10.510 m ³
FLOOR SPACE		
Lower hold	1.035 m ²	
Tween deck	955 m ²	
Weather deck	1.150 m ²	
AIR CHANGES (basis empty holds)		
Hold 1 + 2	Abt. 10 x p/h	
CONTAINER INTAKE		
Total	Abt. 336 TEU	No fittings on board
		Intake always subject stability
HATCHES		
Weather deck	Hold 1: 32,60 x 13,20 m	
	Hold 2: 51,22 x 13,20 m	
	Pontoon type	
Tween deck	Hold 1: 21,35 x 13,20 m	
	Hold 2: 51,12 x 13,20 m	
	Consisting: 15 steel pontoons	
Bulkheads/compartments: Removable pontoons for up to 4 compartments		
MAXIMUM LOAD		
Weather deck hatch covers	1,75 t/m ²	payload
Tweendeck hatch covers	3,00 t/m ²	
Tank top	17,00 t/m ²	
DECK CRANES		
Position	2 x situated on port side	
Tons /reach	40 mt SWL/24 m	
	32 mt SWL/28 m	



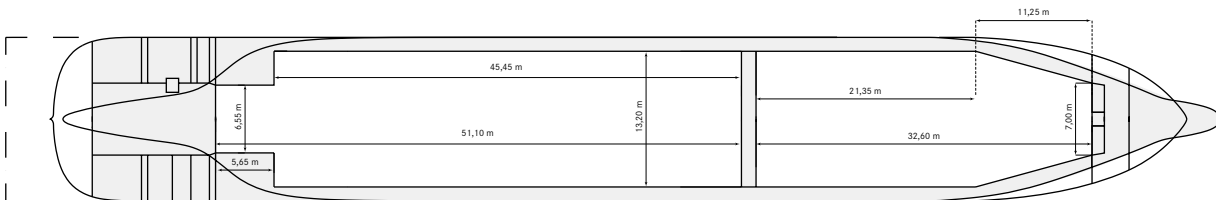
WEATHER DECK



TWEEN DECK



TANK TOP



BANDURA UNDER MANAGEMENT

These particulars are believed to be correct, but without guarantee, and they must not be used as basis for Charter Parties or contracts without explicit written authority. For more information please contact amsterdam@spliethoff.com