

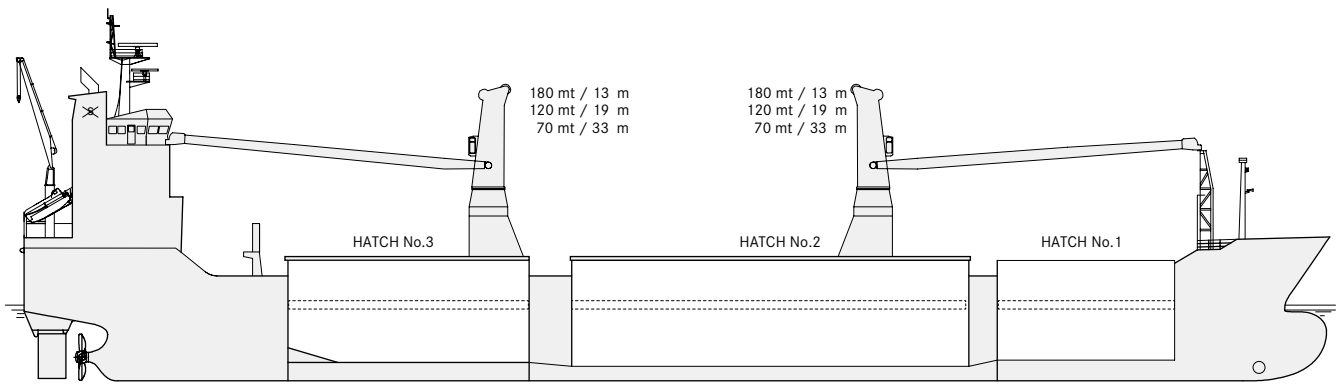
H-TYPE

CLASS		
Classification	Lloyd's Register ✱100 A1**	DNV GL ✱100 A5***
Ice-Class	Finnish/ Swedish 1A**	GL Ice Class E3***
Open sailing notation	No	
Fitted for carriage of dangerous goods of all IMO classes		
Fitted for trading Australia and Great Lakes		
PRINCIPAL DIMENSIONS		
Length over all	138,5 m	
Breadth moulded	21,00 m	
Height hold as SID	Hold 1:	10,53 m
	Hold 2:	11,18 m
	Hold 3:	10,77 m
Height lower hold as TWD	Hold 1:	5,43 m
	Hold 2:	6,02 m
	Hold 3:	5,61 m
Height tween deck as TWD	Hold 1:	4,48 m
	Hold 2:	4,38 m
	Hold 3:	4,38 m
Summer draft	8,00 m	
GT	Abt. 9.610	
NT	Abt. 4.260	
DEADWEIGHT all told	Abt. 12.750 mt	excl. TWD
CAPACITY		
Grain - bale	563.340 cbft	/15.952 m ³
FLOOR SPACE		
Tank top	1.425 m ²	
Tween deck	1.432 m ²	
Weather deck	1.531 m ² /1.656 m ²	
AIR CHANGES (basis empty holds)		
Hold 1	Abt. 6 x p/h	
Hold 2 + 3	Abt. 12 x p/h	
CONTAINER INTAKE		
Total	665 TEU	Intake always subject stability
HATCHES		
Weather deck	Hold 1:	18,75 x 15,00 m
	Hold 2:	42,00 x 17,50 m
	Hold 3:	25,50 x 17,50 m
Tween deck	Hold 1:	18,75 x 15,01 m
	Hold 2:	42,00 x 17,50 m
	Hold 3:	25,50 x 17,50 m
		Consisting: 14 steel pontoons
MAXIMUM LOAD		
Weather deck hatch covers	1,75 t/m ²	payload
Tweendeck hatch covers	4,00 / 2,50 t/m ²	
Tank top	16,00 t/m ²	
DECK CRANES		
Position	2 x situated on port side	
Tons /reach	180 mt SWL / 13 m	150 mt SWL / 16 m
	combinable up to 360 mt combinable up to 300 mt*	
	150 mt SWL/ 16 m	
	120 mt SWL/ 19 m	
	70 mt SWL/33 m	

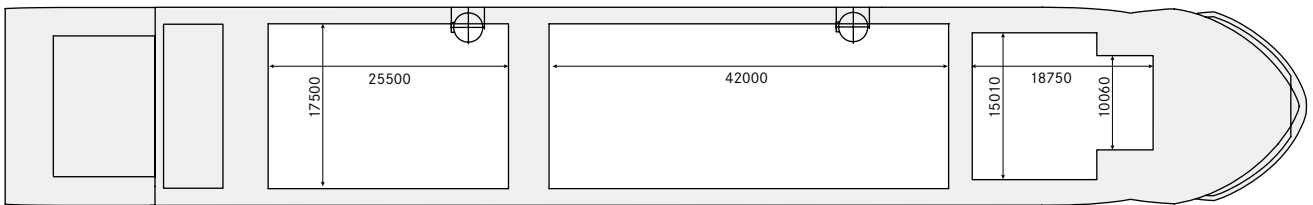


2008 HUDSONGRACHT
2009 HEEMSKERKGRACHT
 HEERENGRACHT
 HOUTMANGRACHT
 HUMBERGRACHT

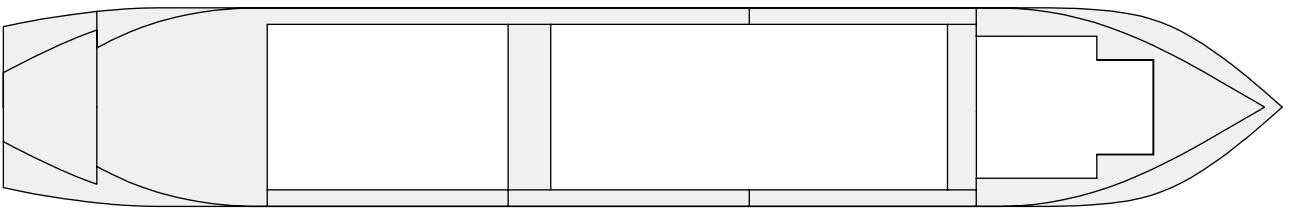
* Hudsongracht / Humbergracht
 ** Heemskerkgracht
 *** Hudsongracht / Humbergracht /
 Heerengracht / Houtmangracht



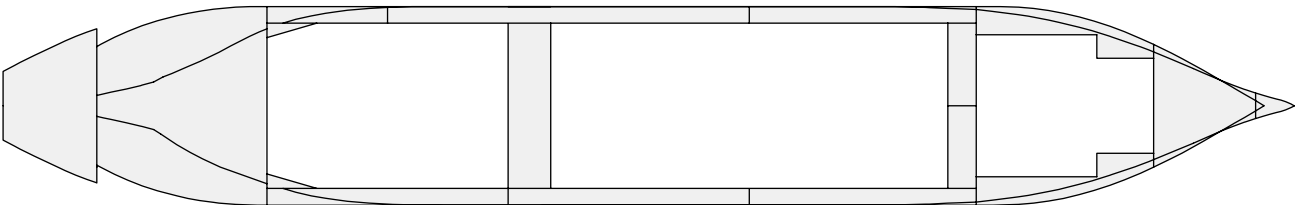
WEATHER DECK



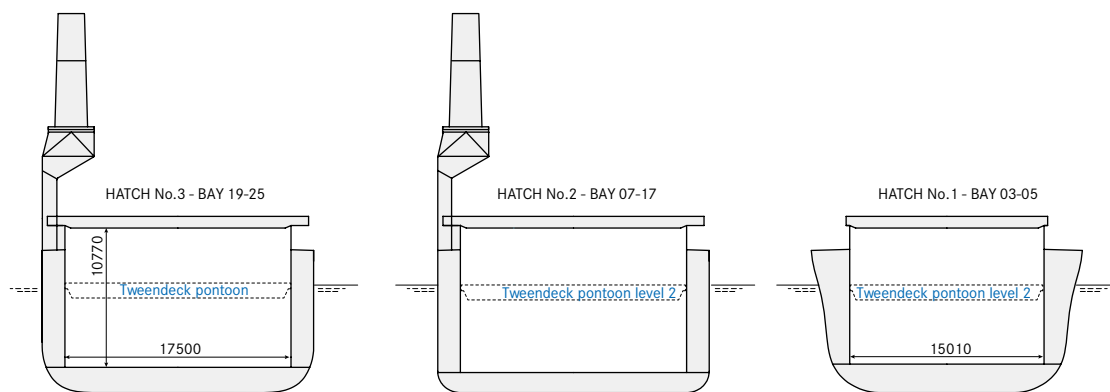
TWEEN DECK



TANK TOP



CROSS SECTION



H-TYPE